

Mini Desktop Ozone + Anion Generator

MDT/OGA series

Specification:

Model no.	: MDT/OGA-50
Brand name	: Chemozone [®]
Feed gas	: Ambient dry, dust & moisture free air
MOC of ozone cell	: SS 316 / Ceramic
Technology	: Corona discharge
Enclosure – MOC	: Plastic/ABS
Cell cooling	: Forced air cooled
Heat dissipation	: Radiator fins
Operating temperature	: 15°C - 40°C
Mounting / Installation	: Portable/ Desk top
Ozone output	: 50 mg/hr
Ozone output pressure	: 10 Kpa
Anion output	: 3,000,000 anion/cm ³
Input power supply	: 110V / 6Hz ; 220/50 Hz AC
Size (mm)	: 200(L) X 160(W) X 60(H)
Colour	: White
Net weight	: 700 gm



Features:

- Ozonizer with Ionizer
- Small compact size
- Light weight
- Elegant look
- Strong plastic body
- Plug & play
- Built in air pump
- Built in cooling fan
- Flexible extension tubing
- Ozone from ambient air



Mode:

Ozone	: ON / OFF
Anion	: ON / OFF

Operation:

Pre programmed, automatic ON & stand by

Accessories:

Standard ▶

- Flexible extension tubing – 3 meters
- Bubble stone diffuser

Optional ▶

- Ozone gas leakage sensor & controller
- SS titanium dome diffuser

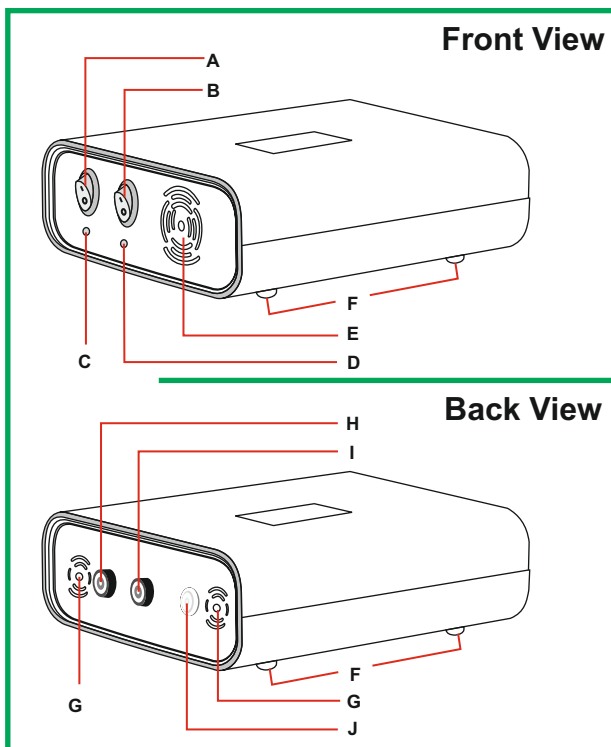
Applications:

- Air disinfection
- Air odour control
- VOC reduction
- Cigarette smoke & smell
- Cold room / Cold storage
- Mosquito & flies reppelant
- Water disinfection
- Drinking water
- Surface sanitation
- Pesticide removal
- Pets cleaning
- Plants watering
- Vas water
- Fruits & Veg. cleaning
- Mutton / Chicken / Fish
- Pulses soaking
- Washing cloths

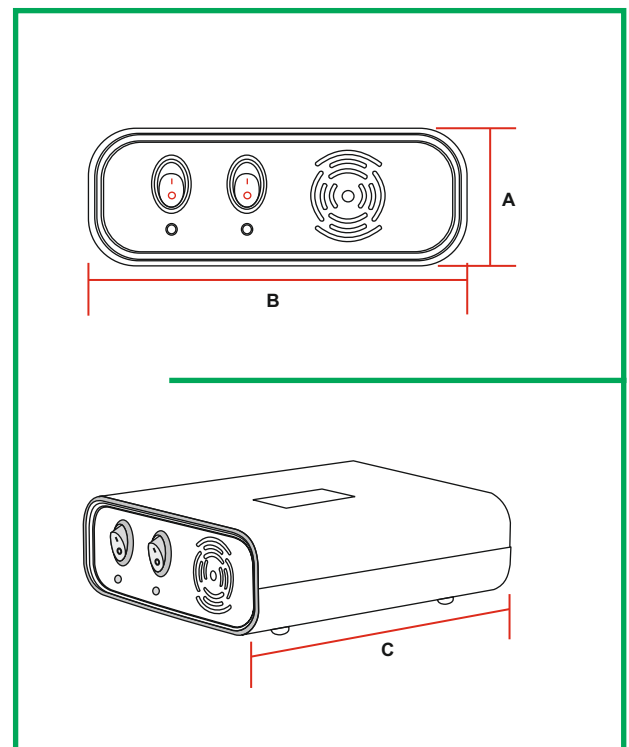
Personal Care:

- Health care
- Face wash
- Eye wash
- Hair wash
- Gargling
- Dental care

Construction:



Dimension:



Descriptions:

A	Ozone On/Off Switch	F	Legs
B	Anion On/Off Switch	G	Fresh & Cooling, Air Intake
C	Ozone LED Indicator	H	Power Cord
D	Anion LED Indicator	I	Fuse
E	-ve ion emitter	J	Ozone Gas Outlet

Dimensions Are In mm

Model	A	B	C
MDT/OGA-50	60	160	200